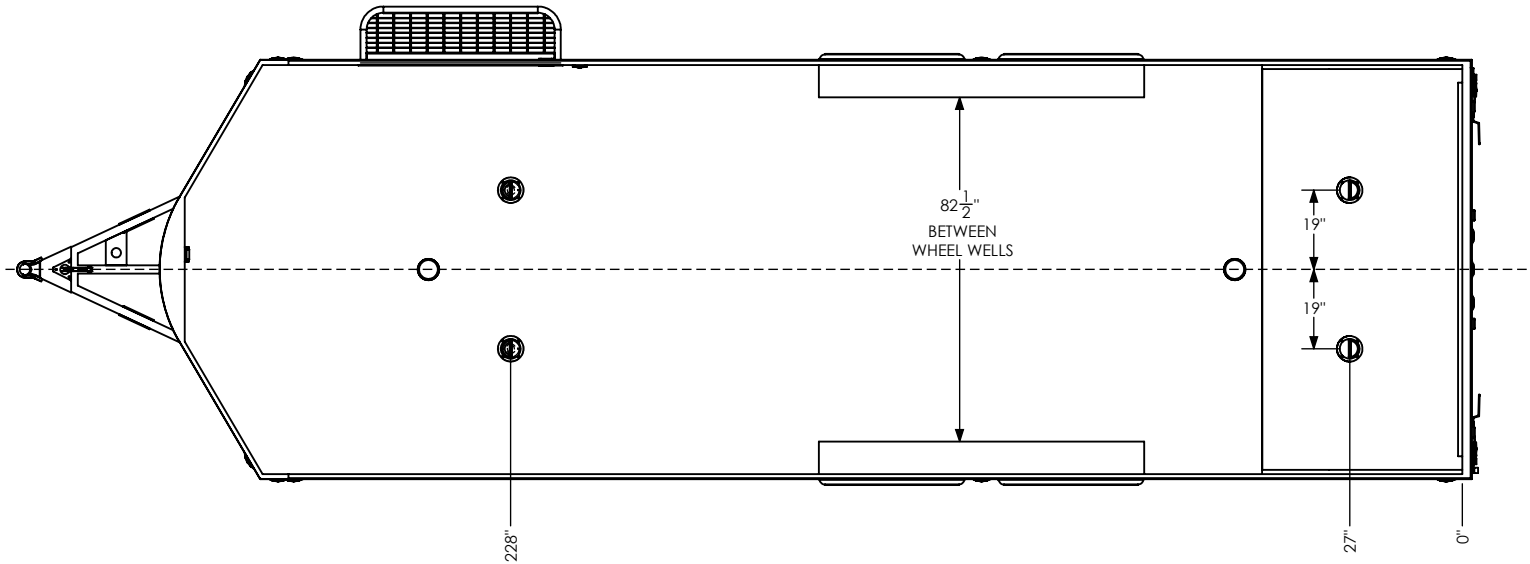
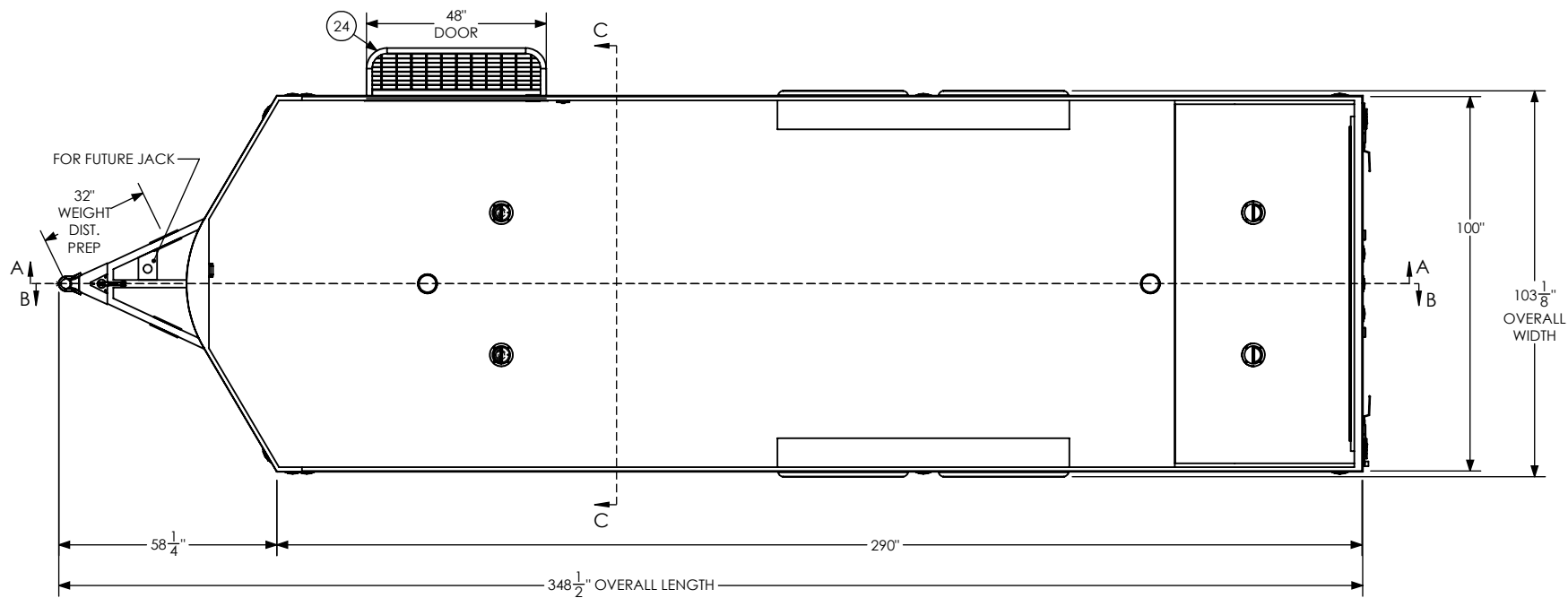


| ITEM NO. | FILE NAME | DESCRIPTION | QTY. |
|----------|--------------------------|--------------------------|------|
| 1 | Axle, Dexter | 5200#, 10 UP, 94HF, 78AB | 2 |
| 7 | Bar Lock | | 2 |
| 8 | Bumpers | 1" | 1 |
| 9 | Caster Wheel | | 2 |
| 10 | Coupler | 2 5/16" Ball, 14,000# | 1 |
| 11 | Cover, Spring Assist | | 1 |
| 12 | D-Ring, Swivel | 6,000# Swivel D-Ring | 14 |
| 13 | Dome Light | 4.5" LED | 2 |
| 14 | Door, Entrance | 48" x 74" | 1 |
| 15 | Fuse Panel | 6 Slot | 1 |
| 16 | Jack - Top Wind | | 1 |
| 17 | LICENSE PLATE BRACKET | | 1 |
| 20 | Light, License Plate | | 1 |
| 21 | Ramp Extension | 16" Transition Flap | 1 |
| 24 | Slide Out Step | 48" Wide | 1 |
| 25 | Switch | 1 - 12V Switch | 1 |
| 26 | Tail Light | Slimline | 2 |
| 27 | Tail Light | Slimline - Back Up | 2 |
| 28 | Tire | ST225/75R15 | 4 |
| 32 | Weight Distribution Prep | | 1 |

PROPRIETARY AND CONFIDENTIAL
 THE INFORMATION CONTAINED IN THIS DRAWING IS THE SOLE PROPERTY OF INTECH TRAILERS. ANY REPRODUCTION IN PART OR AS A WHOLE WITHOUT THE WRITTEN PERMISSION OF INTECH TRAILERS IS PROHIBITED.

| | | | |
|--|---|----------|---|
| B | MOVED WEIGHT DIST. PREP FROM 30" TO 32" | | |
| REV. | DESCRIPTION | | |
| REVISION TABLE | | | |
| SCALE: 1:50 | NAME | DATE | <i>inTech Trailers</i> WRIGHT WAY - 35268 WBTA8.5x24+2TA3 BOM |
| DRAWN | JLH | 03/17/25 | |
| ALL DIMENSIONS ARE IN INCHES AND ARE NOMINAL. DIMENSIONS ON ACTUAL TRAILER MAY VARY FROM WHAT IS SHOWN ON PRINT BASED ON ACTUAL FRAMING AND TRAILER STRUCTURE. UNLESS NOTED AS CRITICAL. | | | DWG. NO. SHEET 1 OF 5 BTA8.5x24TA Trailer Assembly - 35268 |
| | | | REV. B |



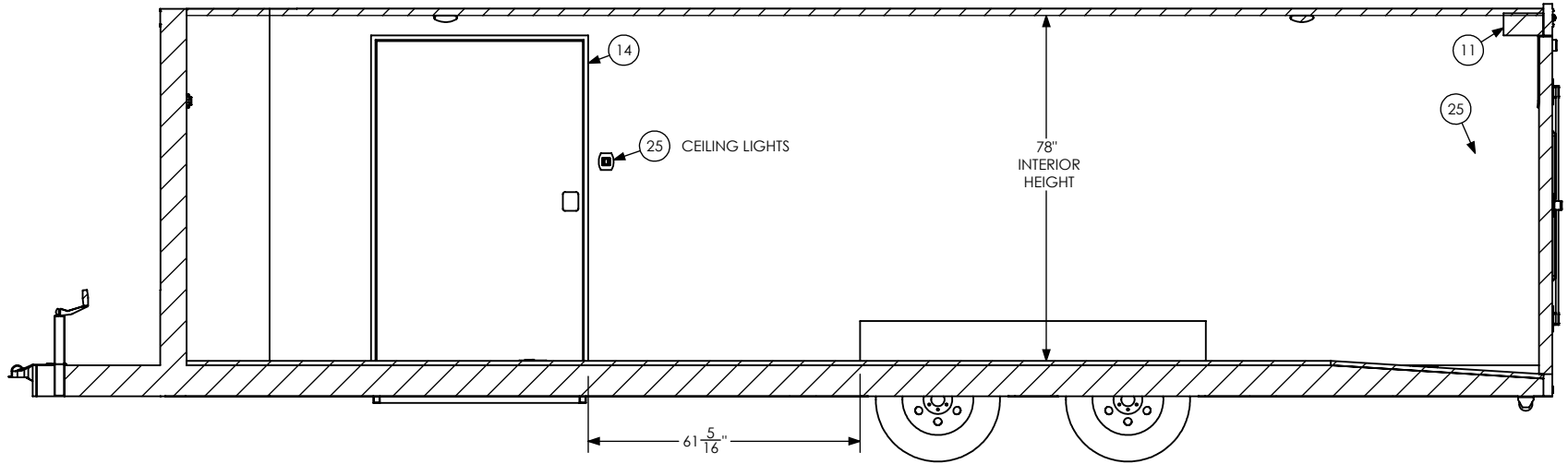
SCALE: 1:46 NAME DATE

DRAWN JLH 03/17/25

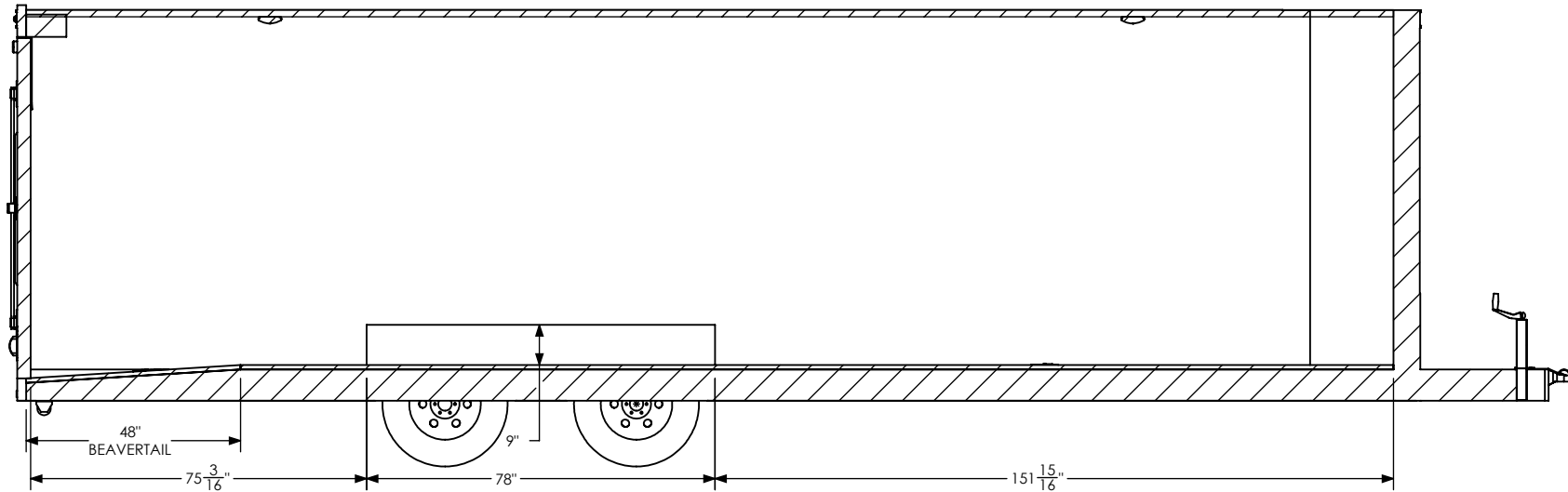
ALL DIMENSIONS ARE IN INCHES AND ARE NOMINAL. DIMENSIONS ON ACTUAL TRAILER MAY VARY FROM WHAT IS SHOWN ON PRINT BASED ON ACTUAL FRAMING AND TRAILER STRUCTURE. UNLESS NOTED AS CRITICAL

PROPRIETARY AND CONFIDENTIAL
THE INFORMATION CONTAINED IN THIS DRAWING IS THE SOLE PROPERTY OF INTECH TRAILERS. ANY REPRODUCTION IN PART OR AS A WHOLE WITHOUT THE WRITTEN PERMISSION OF INTECH TRAILERS IS PROHIBITED.

| | | |
|--------------------------------------|--------------|------|
| <i>inTech Trailers</i> | | |
| WRIGHT WAY - 35268 | | |
| WBTA8.5x24+2TA3 | | |
| FLOORPLAN | | |
| DWG. NO. | SHEET 2 OF 5 | REV. |
| BTA8.5x24TA Trailer Assembly - 35268 | B | B |



INTERIOR CURB SIDE
SECTION A-A



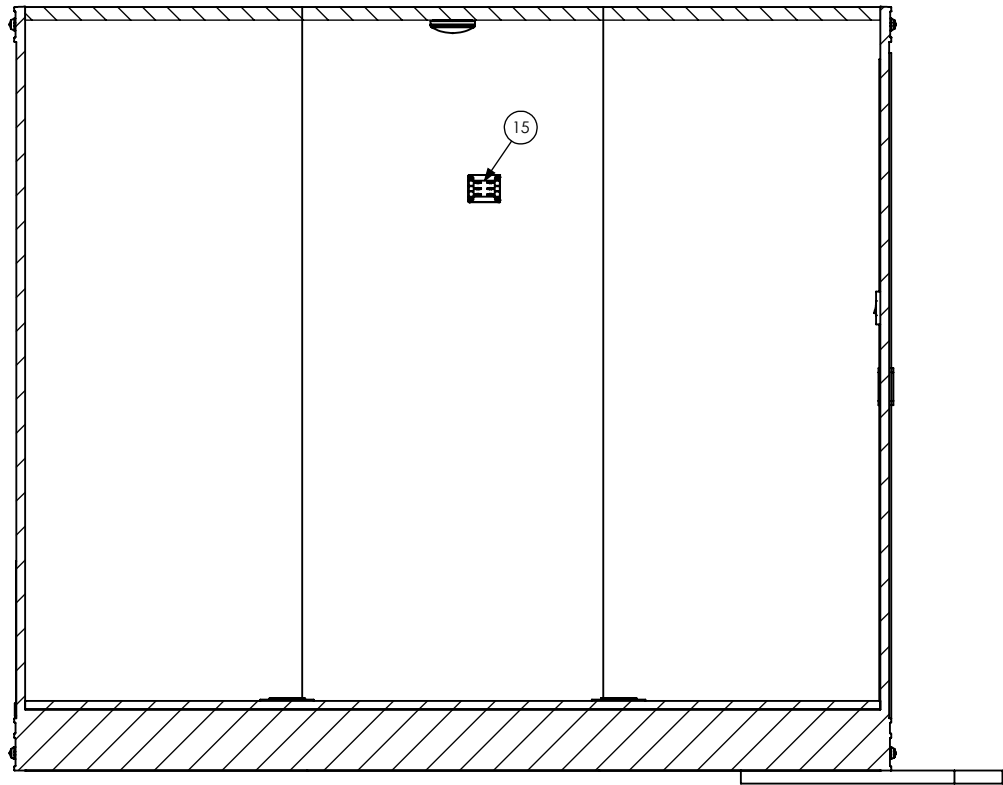
INTERIOR ROAD SIDE
SECTION B-B

PROPRIETARY AND CONFIDENTIAL
THE INFORMATION CONTAINED IN THIS DRAWING IS THE SOLE PROPERTY OF INTECH TRAILERS. ANY REPRODUCTION IN PART OR AS A WHOLE WITHOUT THE WRITTEN PERMISSION OF INTECH TRAILERS IS PROHIBITED.

| | | |
|-------------|------|----------|
| SCALE: 1:46 | NAME | DATE |
| DRAWN | JLH | 03/17/25 |

ALL DIMENSIONS ARE IN INCHES AND ARE NOMINAL. DIMENSIONS ON ACTUAL TRAILER MAY VARY FROM WHAT IS SHOWN ON PRINT BASED ON ACTUAL FRAMING AND TRAILER STRUCTURE. UNLESS NOTED AS CRITICAL

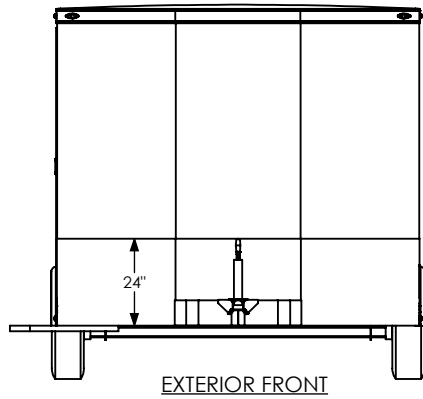
| | | |
|--------------------------------------|--------------|------|
| <i>inTech Trailers</i> | | |
| WRIGHT WAY - 35268 | | |
| WBTA8.5x24+2TA3 | | |
| INTERIOR SIDES | | |
| DWG. NO. | SHEET 3 OF 5 | REV. |
| BTA8.5x24TA Trailer Assembly - 35268 | | B |



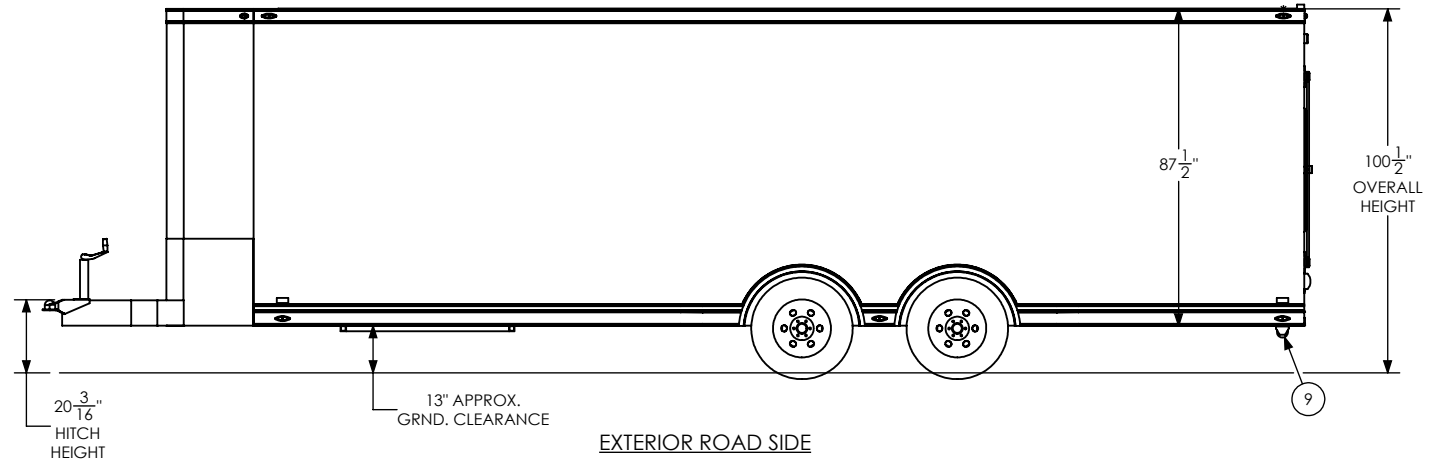
INTERIOR FRONT
SECTION C-C

PROPRIETARY AND CONFIDENTIAL
THE INFORMATION CONTAINED IN THIS DRAWING IS THE SOLE PROPERTY OF INTECH TRAILERS. ANY REPRODUCTION IN PART OR AS A WHOLE WITHOUT THE WRITTEN PERMISSION OF INTECH TRAILERS IS PROHIBITED.

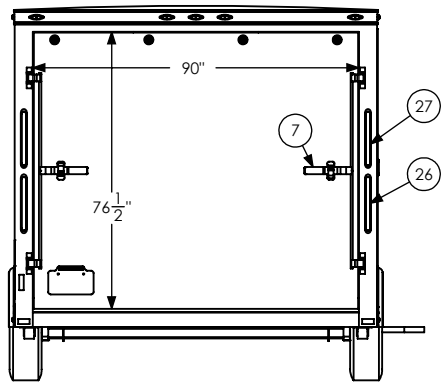
| | | | | |
|---|------|----------|--|-------------------|
| SCALE: 1:22 | NAME | DATE | <i>inTech Trailers</i> WRIGHT WAY - 35268 WBTA8.5x24+2TA3 INTERIOR FRONT | |
| DRAWN | JLH | 03/17/25 | | |
| ALL DIMENSIONS ARE IN INCHES AND ARE NOMINAL. DIMENSIONS ON ACTUAL TRAILER MAY VARY FROM WHAT IS SHOWN ON PRINT BASED ON ACTUAL FRAMING AND TRAILER STRUCTURE. UNLESS NOTED AS CRITICAL | | | DWG. NO. | REV. |
| | | | BTA8.5x24TA Trailer Assembly - 35268 | SHEET 4 OF 5 B |



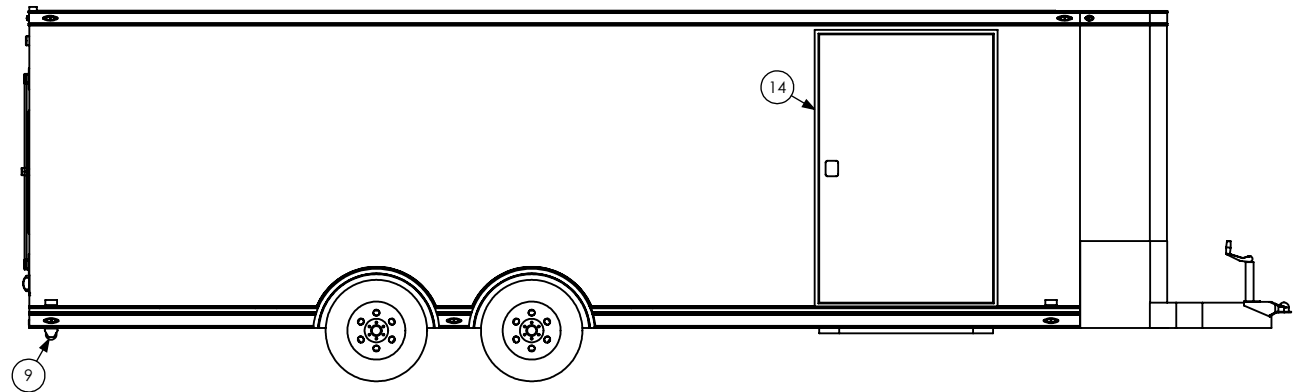
EXTERIOR FRONT



EXTERIOR ROAD SIDE



EXTERIOR REAR



EXTERIOR CURB SIDE

PROPRIETARY AND CONFIDENTIAL
 THE INFORMATION CONTAINED IN THIS DRAWING IS THE
 SOLE PROPERTY OF INTECH TRAILERS. ANY REPRODUCTION
 IN PART OR AS A WHOLE WITHOUT THE WRITTEN PERMISSION
 OF INTECH TRAILERS IS PROHIBITED.

| | | |
|-------------|------|----------|
| SCALE: 1:53 | NAME | DATE |
| DRAWN | JLH | 03/17/25 |

ALL DIMENSIONS ARE IN INCHES
 AND ARE NOMINAL. DIMENSIONS
 ON ACTUAL TRAILER MAY VARY
 FROM WHAT IS SHOWN ON PRINT
 BASED ON ACTUAL FRAMING AND
 TRAILER STRUCTURE. UNLESS
 NOTED AS CRITICAL

| | | |
|--------------------------------------|--------------|------|
| <i>inTech Trailers</i> | | |
| WRIGHT WAY - 35268 | | |
| WBTA8.5x24+2TA3 | | |
| EXTERIOR | | |
| DWG. NO. | SHEET 5 OF 5 | REV. |
| BTA8.5x24TA Trailer Assembly - 35268 | | B |